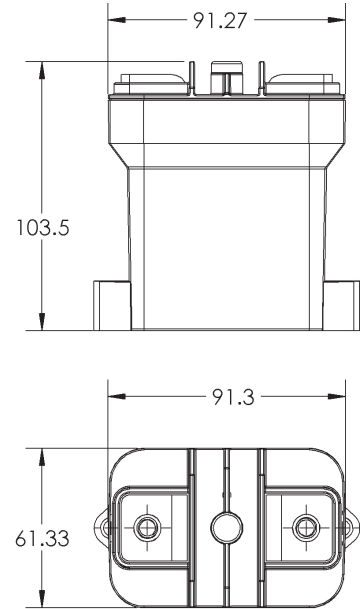


High Voltage Battery Disconnect with Passive Function



PRODUCT SPECIFICATIONS

Specifications	Units	Data
Rated Voltage	Volts	1000
Continuous Current Rating at 85C	Amps	400
Max Interrupt Current at 1000V and 27μH	Amps	10,000
Max Resistance before opening	mΩ	.150
Max Clear Time	mS	3
Operating Temperature	C	-40 - +85
Storage Temperature	C	-40 - +125
Weight	grams	780
Shock:1/2SINE, 11mS	G's	75
Vibe: Sinusoidal (500-2000Hz Pk)	G's	30
Triggering Current Tolerance	Amps	+/- 150
Minimum Dielectric After Trigger	MΩ	5

PART NUMBER SYSTEM

Part Number	Trip Current (Amps)
GFP410	1000
GFP415	1500
GFP420	2000
GFP425	2500