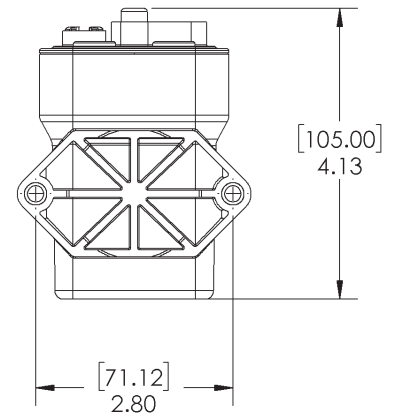
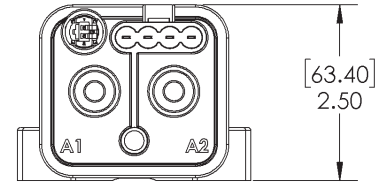


Bi-Directional High Voltage Battery Disconnect and Contactor Combination with Passive & Active Triggering



PRODUCT SPECIFICATIONS

Specifications	Units	Data
Rated Voltage	Volts	1000
Continuous Current Rating at 85C	Amps	400
Max Interrupt Current at 1000V & 27μH - Fuse	Amps	4,000
Max Interrupt Current at 500V & 27μH - Fuse	Amps	12,000
Max Interrupt Current at 1000V & 27μH - Contactor	Amps	1,000
Max Contact Resistance	mΩ	.25
Max Clear Time - Fuse	mS	3
Operating Temperature	C	-40 - +85
Shock:1/2SINE, 11mS	G's	25
Vibe: Sinusoidal (500-2000Hz Pk)	G's	25
Storage Temperature	C	-40 - +85
Weight	grams	<600
Self Triggering Current Tolerance	Amps	+/- 100
Minimum Dielectric After Trigger	MΩ	1

GFC400 INITIATOR DATA

Qualified Acc. To	LV 16 and USCAR
Initiator Resistance	≥ 1.7 Ω and ≤ 2.5 Ω
Triggering Pulse Current	≥ 1.75A/ 0.5mS or ≥1.2A/2.0mS
No-triggering Current	≤0.4A or ≤5.0A/≤4μS
Diagnostic Current	≤100mA