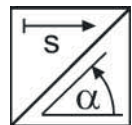




Solid Sensor Mechanism for Incremental and Absolute Encoders

- Protection class depends on encoder type
- Measurement Range: 0 ... 1250 mm up to 0 ... 15000 mm
- For encoders with synchro flange (mounting clamps as an accessory)
- Adapter19 (accessory) for encoders with clamping flange



Specification	Material	Aluminium, stainless steel and plastic Cable: stainless steel
	Connector	Depends on the encoder type
	Distance per revolution between reference pulses	See order code, tolerance ± 0.04 % related to the distance per revolution
	Linearity	Up to ± 0.01 % full scale
	Protection Class (IEC 529)	Depends on the encoder type
	Weight	See table next page
	Environmental	
	Immunity to Interference (EMC)	Depends on encoder
Temperature	Depends on encoder	

Order Code LR19

Model Name	LR19 - [] - [] - []
Measurement Range (in mm)	1250 / 2000 / 3000 / 5000 / 8000 / 15000
Distance per Revolution between Reference Pulses (in mm) at Measurement Range	1250 mm = 120.00 2000 mm = 163.84 3000 mm = 260.09 5000 mm = 409.60 8000 mm = 667.90 15000 mm = 600.00
Option	M4 = M4 cable fixing

Order Code Mounting Clamps (3 pcs., for encoders with synchro flange)

WS-EXZENTER

Order Code Adapter 19 (see page 39, for encoders with clamping flange)

WS-ADAPTER19

Order Example: LR19 - 5000 - 409.60 - M4

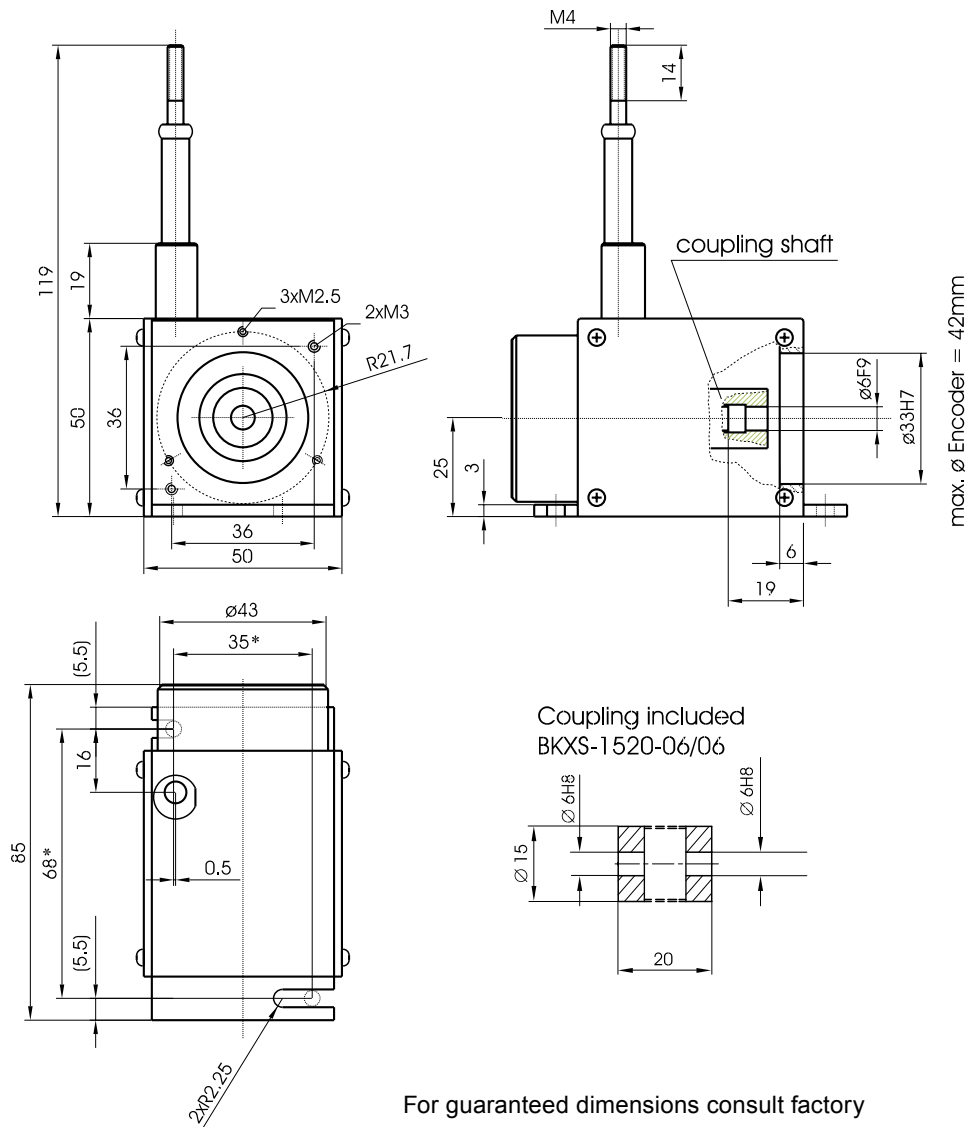
LR19

Sensor mechanism



Cable forces and weights typical at 20 °C	Measurement Range		Weight [kg]	Max. Pull-out Force [N]	Min. Pull-in Force [N]
	[mm]	[in]			
	1250	49.21	0.4	3.1	1.8
	2000	78.74	1.4	11.7	6.5
	3000	118.11	1.5	6.9	4.0
	5000	196.85	3.0	13.4	8.7
	8000	314.96	6.6	10.7	7.5
	15000	590.55	7.1	17.5	7.5

Outline Drawing LR19-1250-120,00



For guaranteed dimensions consult factory

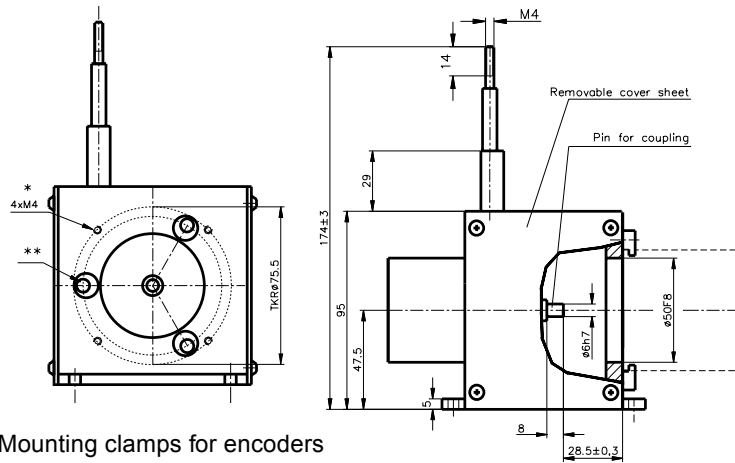
LR19

Sensor mechanism



Outline Drawing

LR19-2000-163,84
LR19-3000-260,09

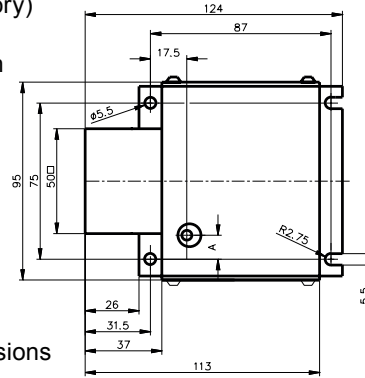


** Mounting clamps for encoders with synchro flange (accessory)

* Adapter 19 for encoders with clamping flange (accessory)

The coupling is an option

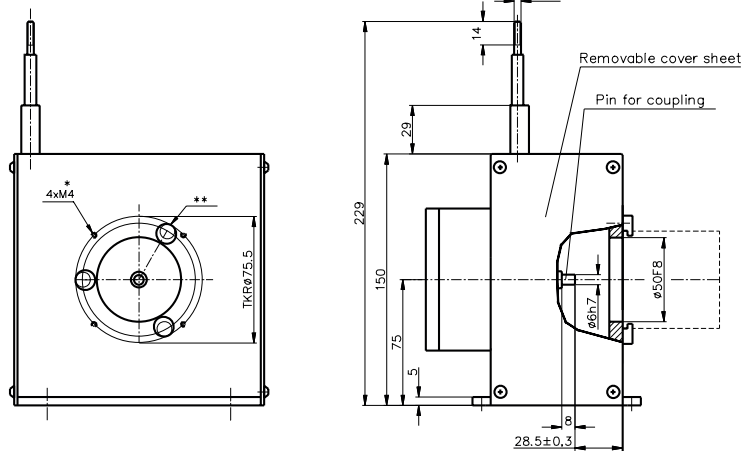
Meas. Range	Dim. A [mm]
2000	11,5
3000	0



For guaranteed dimensions consult factory

Outline Drawing

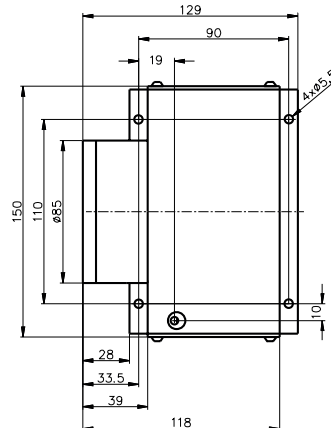
LR19-5000-409,60



** Mounting clamps for encoders with synchro flange (accessory)

* Adapter 19 for encoders with clamping flange (accessory)

The coupling is an option

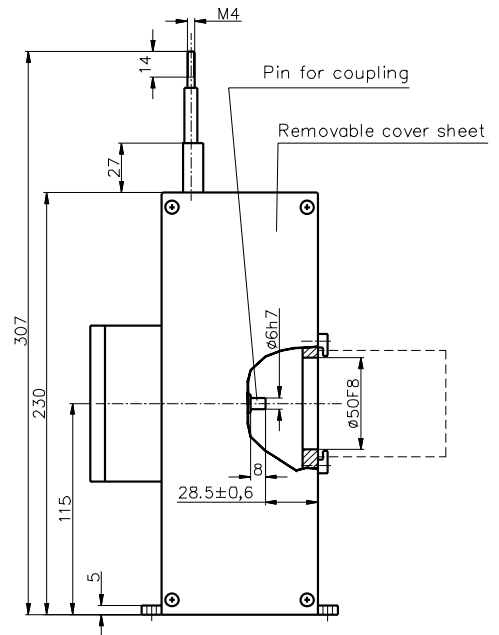
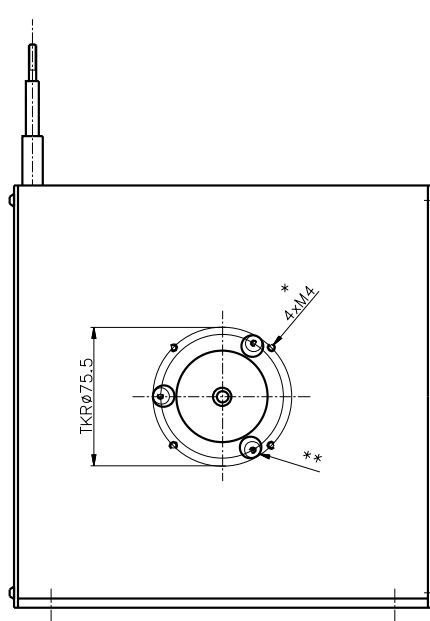


LR19

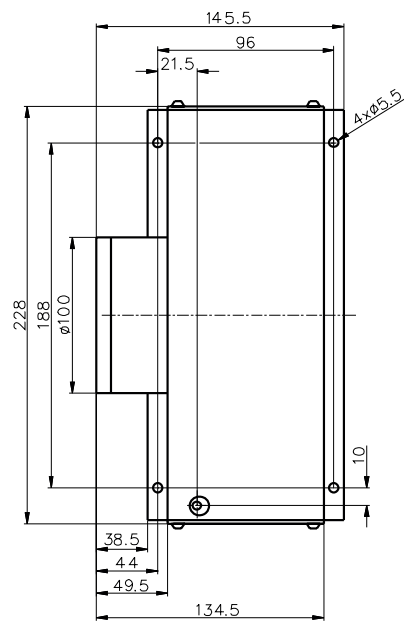
Sensor mechanism



Outline Drawing
LR19-8000-667,90



- ** Mounting clamps for encoders with synchro flange (accessory)
 - * Adapter 19 for encoders with clamping flange (accessory)
- The coupling is an option



For guaranteed dimensions consult factory

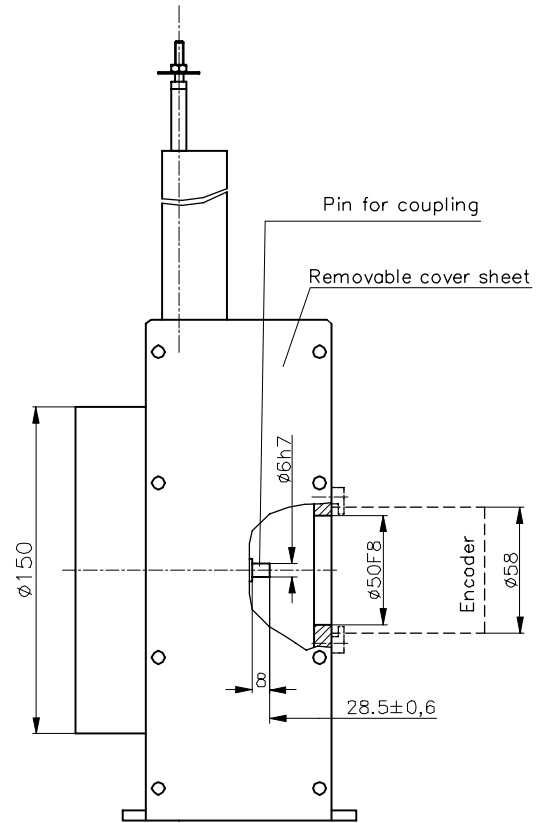
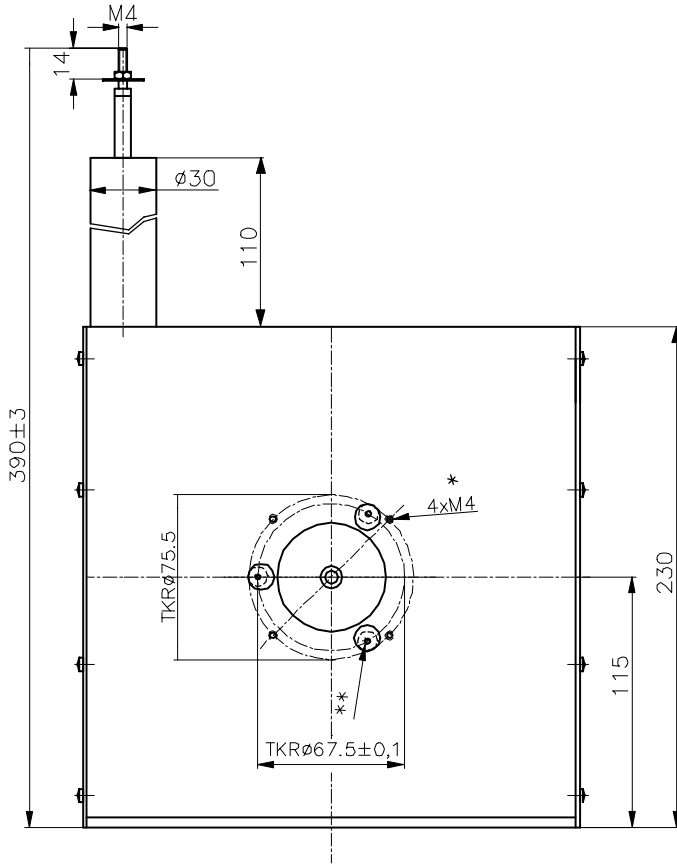
LR19

Sensor mechanism



Outline Drawing

LR19-15000-600,00

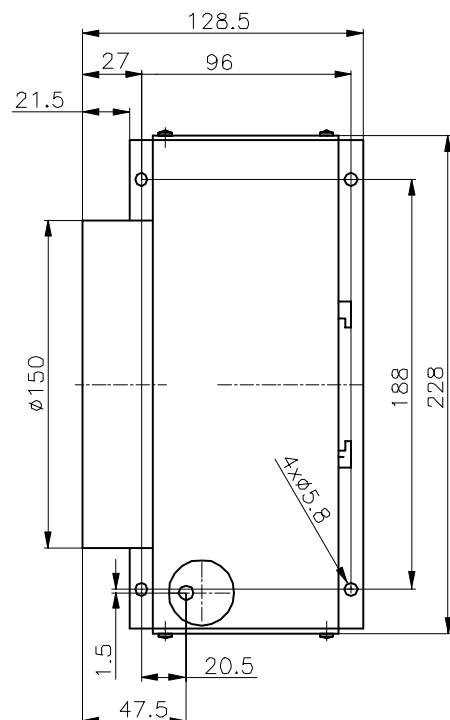


** Mounting clamps for encoders with synchro flange (accessory)

* Adapter 19 for encoders with clamping flange (accessory)

The coupling is an option

For guaranteed dimensions consult factory



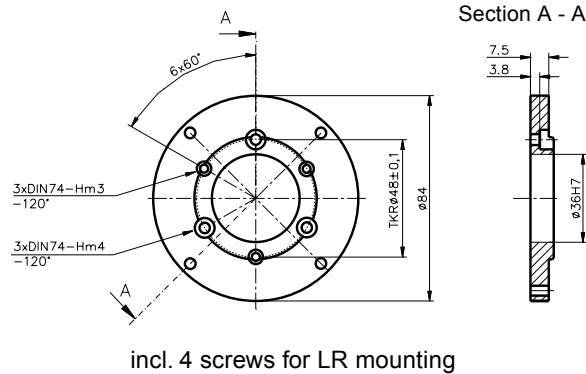
LR19

Sensor mechanism

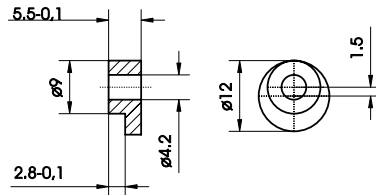


Accessories for LR modules

Outline Drawing Adapter 19

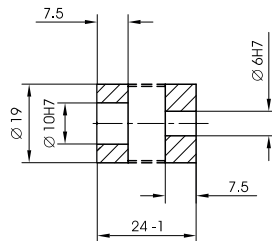


Outline Drawing Mounting clamps for encoders with synchro flange

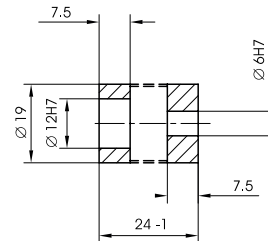


Outline Drawings Couplings

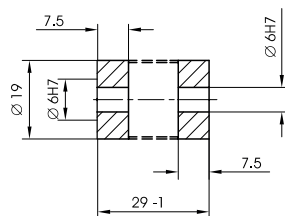
Coupling for encoders
with clamping flange
Range > 1250 mm
MK1-24-6-10



Coupling for special encoders
with clamping flange
Range > 1250 mm
MK1-24-6-12



Coupling for encoders
with synchro flange
Range > 1250 mm
MK1-29-6-6



Order Code Mounting Clamps (3 pcs., for encoders with synchro flange)

WS-EXZENTER

Order Code Adapter 19 (for encoders with clamping flange)

WS-ADAPTER19

Order Code Coupling (for encoders with clamping flange, range >1250 mm)

MK1-24-6-10

Order Code Coupling (for encoders with synchro flange, range >1250 mm)

MK1-29-6-6

Order Code Coupling (for special encoders with clamping flange, range >1250mm)

MK1-24-6-12